

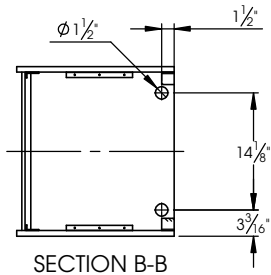
ITEM NO.	PartNo	DESCRIPTION	QTY.
1	RACK-A1	Left side panel	1
2	RACK-A2	Right side panel	1
3	RACK-B1	Bottom	1
4	RACK-B2	Lower shelf	1
5	RACK-B3	Upper shelf	1
6	RACK-B4	Top	1
7	RACK-C		4
8	RACK-D	Vertical support (upper section)	2
9	RACK-E	Vertical support (lower section)	2
10	RACK-F	Door (Back, upper section)	1
11	RACK-G	Door (Front, lower section)	1
12	RACK-H		2
14	HW-RK-18U	Rackmount rail (18U)	2
15	HW-RK-12U	Rackmount rail (12U)	2
16	HW-HNG-BLUM	Blum door hinge	2
17	HW-DOOR-HND	Door handle (2U)	1
18	HW-4-CB	4" Steel corner brace	8
19	HW-ANG-L-8	"L" angle - 8"	4
20	RACK-I	Vertical support (middle section)	2
21	HW-HNG-P	"piano" hinge strip	1
22	HW-DW-5.16	Wood dowel 5/16" x 1.5"	72
23	HW-SCRW-5.8	Wood screw 5/8"	56

Rack units	18U (middle section) 12U (upper section)
Depth clearance	16-3/8" (middle section) 13-9/16" (upper section)
Height	76-1/2"
Width	20-1/2"
Depth	19"

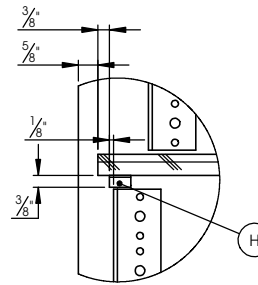
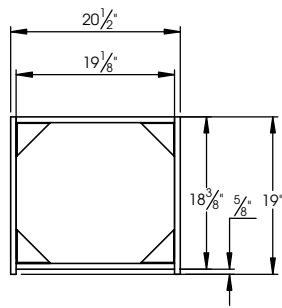
BENOIT FRIGON
bfrigon@gmail.com

NOTES:

PROJECT Rackmount cabinet			
TITLE Assembly Specifications			REV A
PART # --	DOCUMENT # RACK-DWG-01	UNITS INCHES	SIZE B
MATERIAL 1 1/16" laminated pine		FINISH Stained and varnished	
DATE 19/05/2005	APVD BY : B.F	SCALE 1:10	SHEET 1 OF 4

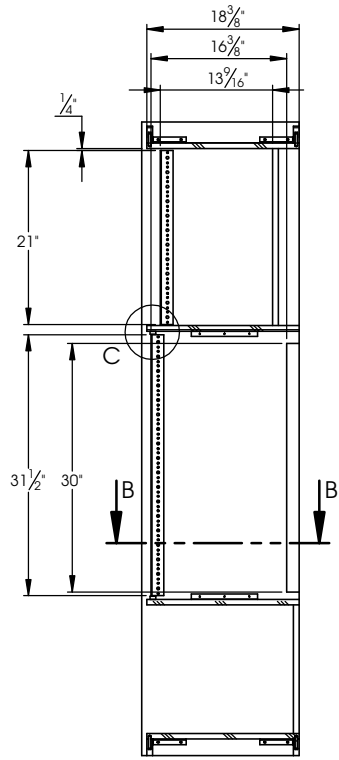


SECTION B-B

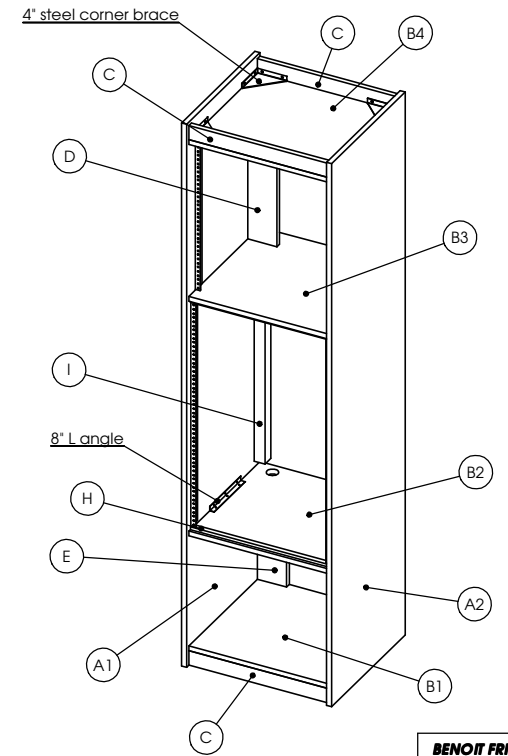
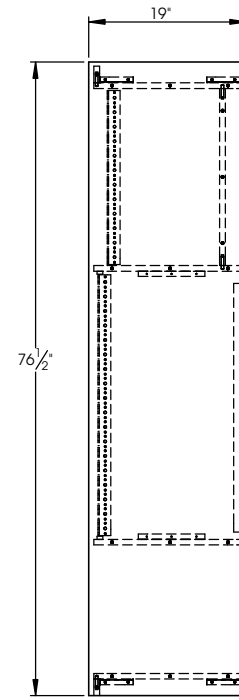
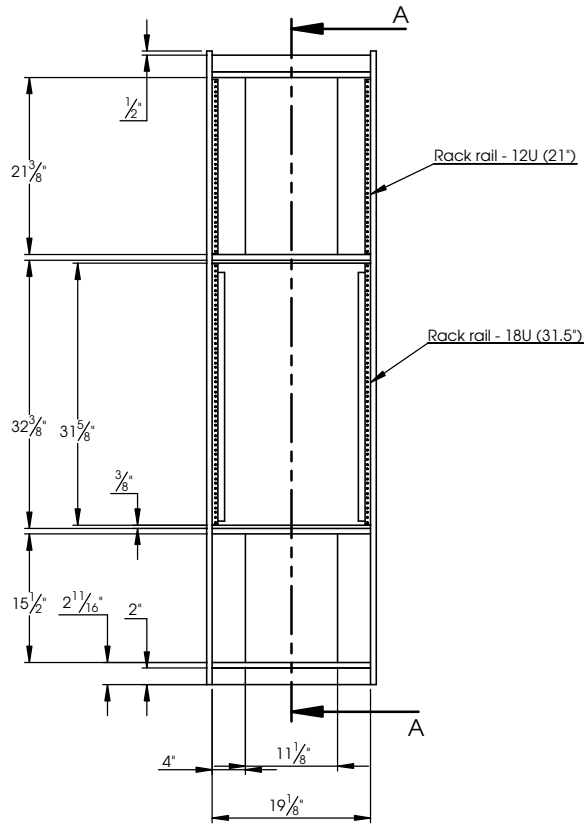


DETAIL C
SCALE 1 : 4

Qty.	Part #	Cut size
2	A	76 1/2" x 19"
4	B	19 1/8" x 18 3/8"
4	C	2" x 19 1/8"
2	D	4" x 21 3/8"
2	E	4" x 15 1/2"
1	F	18 7/8" x 21 1/8"
1	G	18 7/8" x 15 1/4"
2	H	3/8" x 19 1/8"
2	I**	(2x2) - 30"



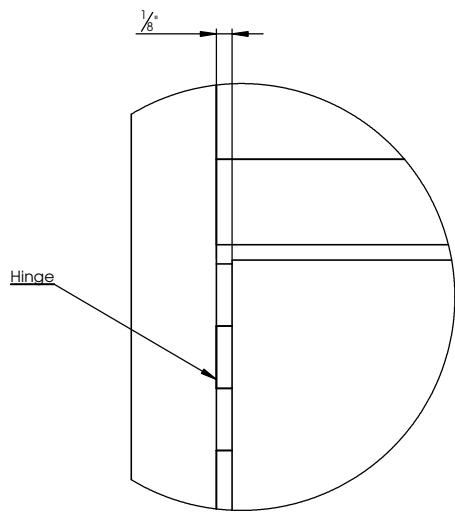
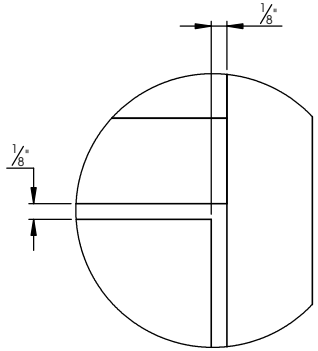
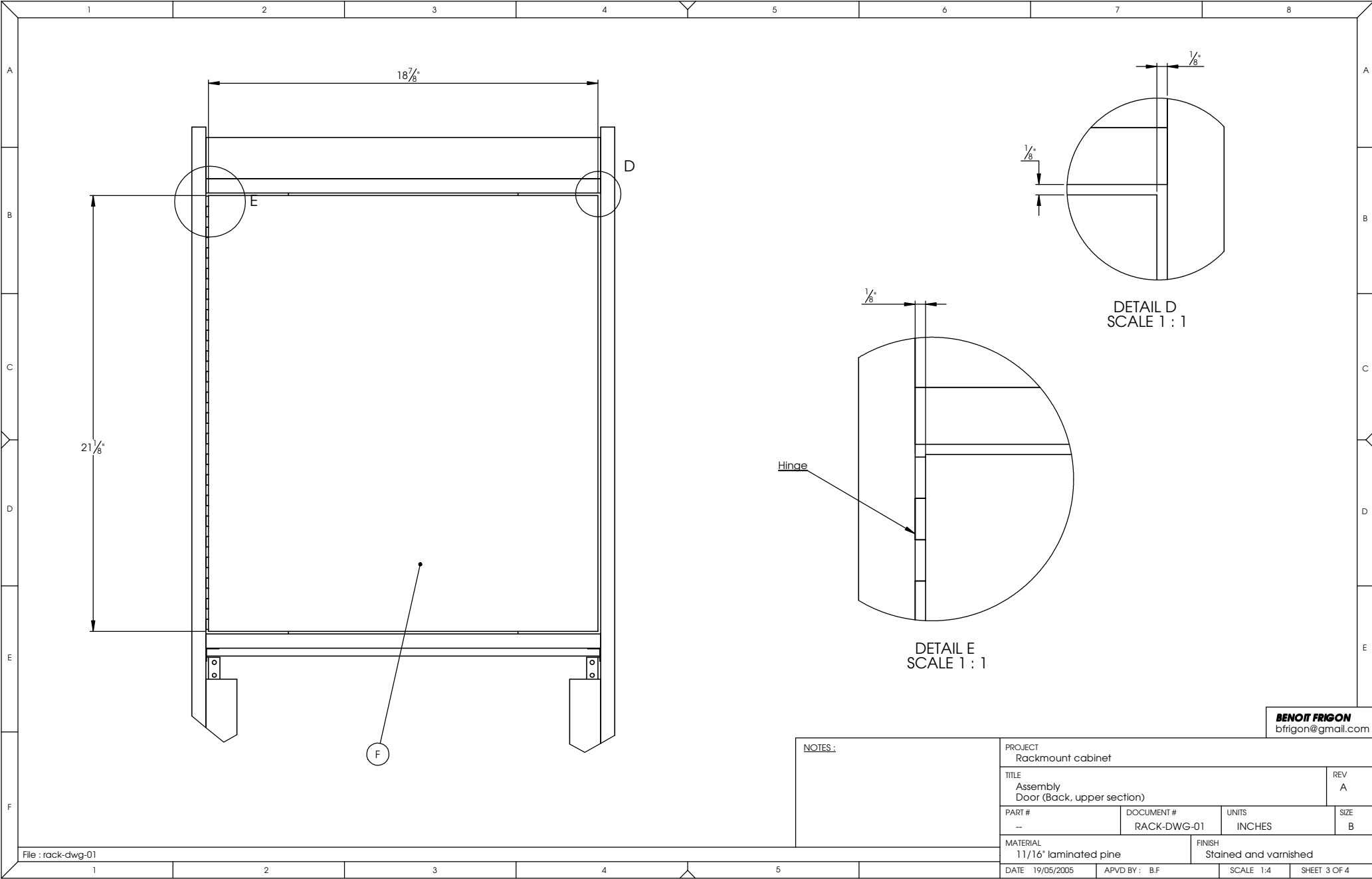
SECTION A-A



BENOIT FRIGON
bfrigon@gmail.com

NOTES:
** All parts are made from 11/16" thick laminated pine panel except part "I" which is made using a 2x2 (1.5" x 1.5") piece.

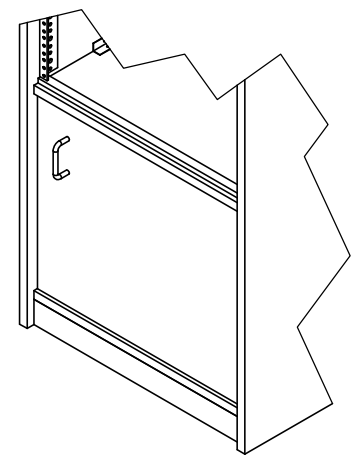
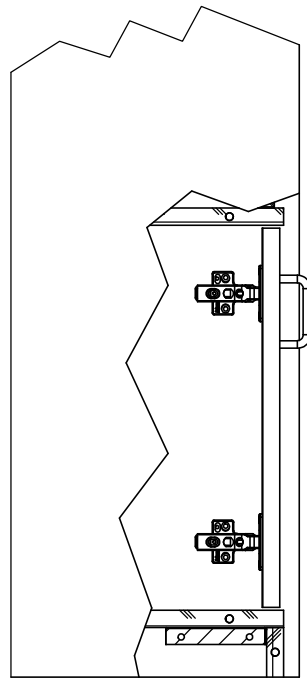
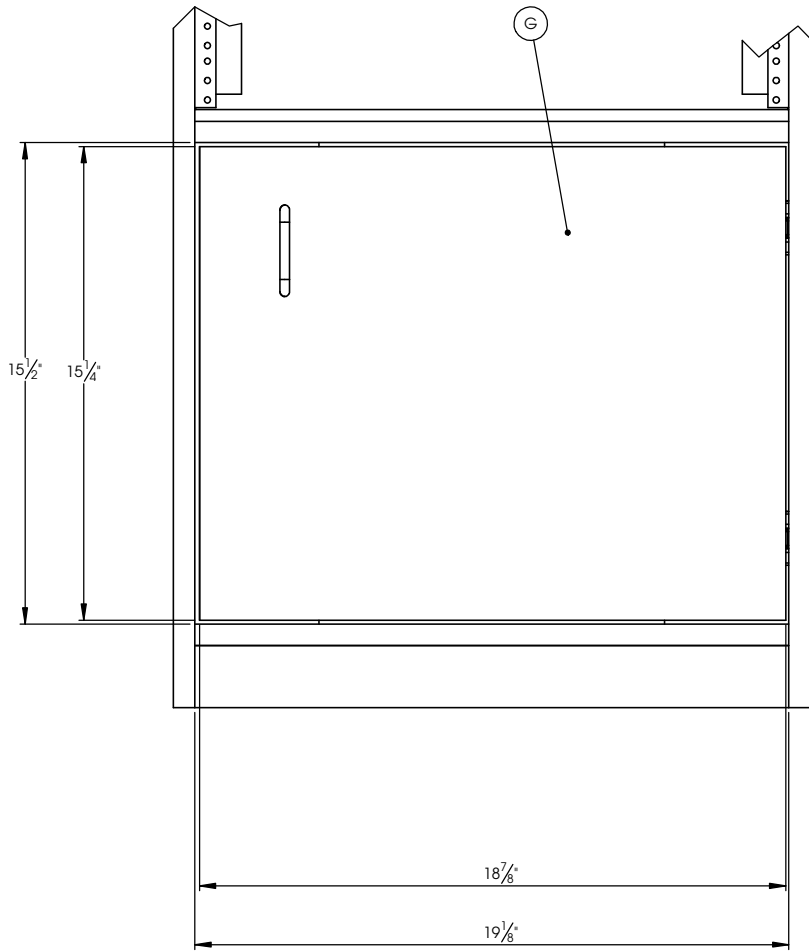
PROJECT Rackmount cabinet				REV A
TITLE Assembly				SIZE B
PART # --	DOCUMENT # RACK-DWG-01	UNITS INCHES		
MATERIAL 11/16" laminated pine			FINISH Stained and varnished	
DATE 19/05/2005	APVD BY : B.F	SCALE 1:15	SHEET 2 OF 4	



BENOIT FRIGON
bfrigon@gmail.com

NOTES:

PROJECT Rackmount cabinet				REV A
TITLE Assembly Door (Back, upper section)				SIZE B
PART # --	DOCUMENT # RACK-DWG-01	UNITS INCHES		
MATERIAL 1 1/16" laminated pine		FINISH Stained and varnished		
DATE 19/05/2005	APVD BY : B.F	SCALE 1:4	SHEET 3 OF 4	



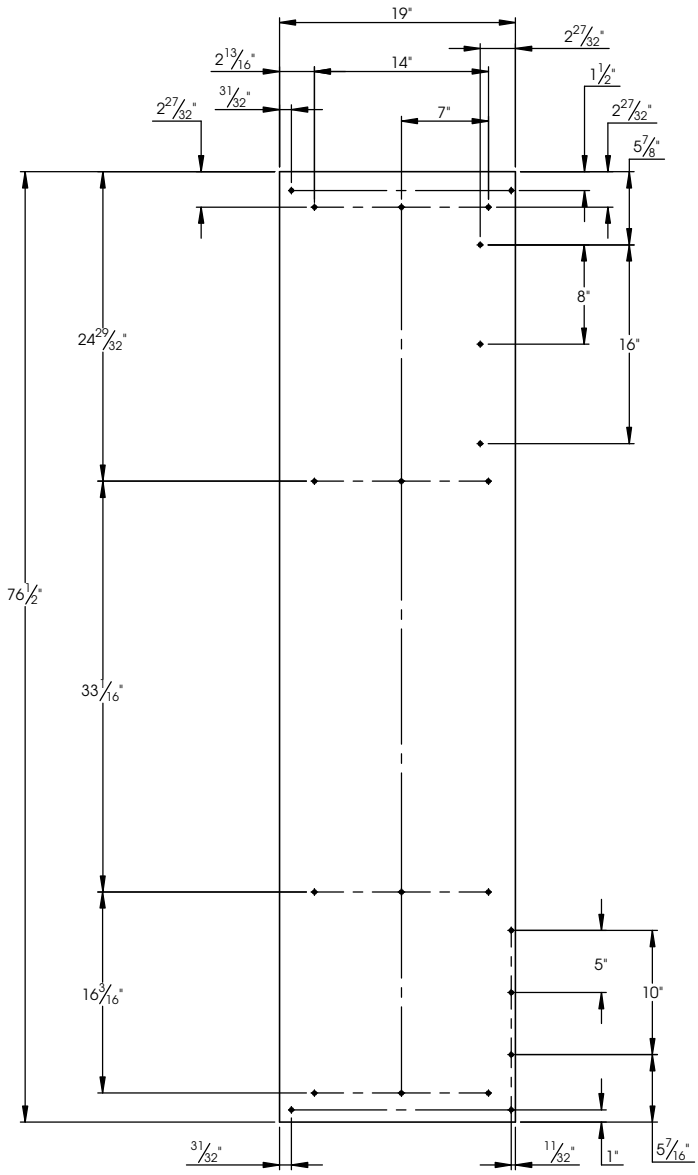
BENOIT FRIGON
bfrigon@gmail.com

NOTES:

PROJECT Rackmount cabinet				REV A
TITLE Assembly Door (Front, lower section)				SIZE B
PART # --	DOCUMENT # RACK-DWG-01	UNITS INCHES		
MATERIAL 1 1/16" laminated pine		FINISH Stained and varnished		
DATE 19/05/2005	APVD BY : B.F	SCALE 1:4	SHEET 4 OF 4	

1 2 3 4 5 6 7 8

TAG	SIZE	QUANTITY
A	$\phi \frac{5}{16}'' \nabla \frac{3}{8}''$	22

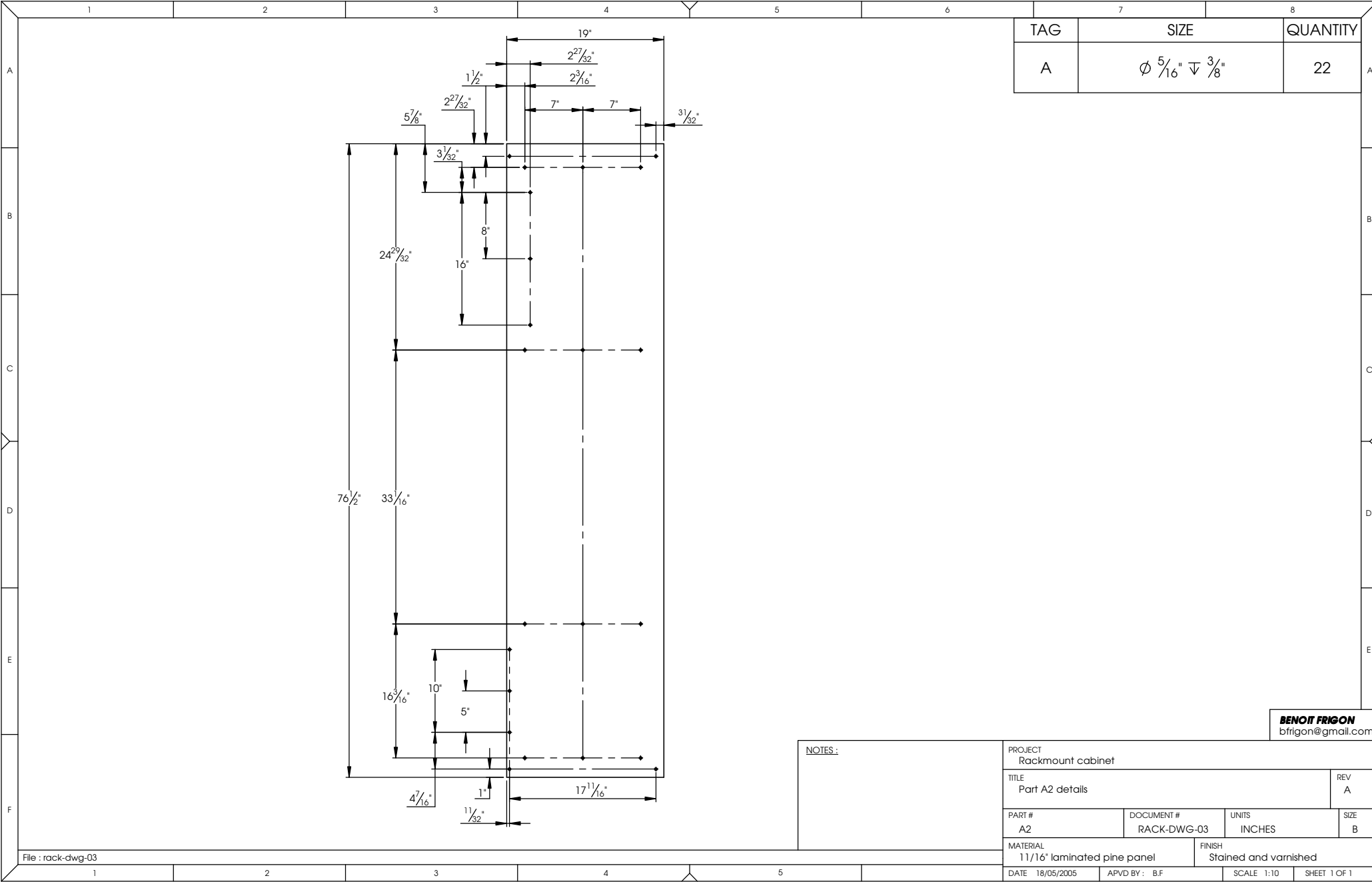


BENOIT FRIGON
bfrigon@gmail.com

NOTES:

PROJECT Rackmount cabinet			
TITLE Part A1 details			REV A
PART # A1	DOCUMENT # RACK-DWG-02	UNITS INCHES	SIZE B
MATERIAL 1 1/16" laminated pine panel		FINISH Stained and varnished	
DATE 18/05/2005	APVD BY : B.F	SCALE 1:10	SHEET 1 OF 1

File : rack-dwg-02 1 2 3 4 5 6 7 8

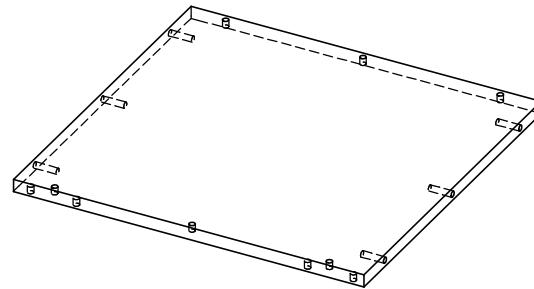
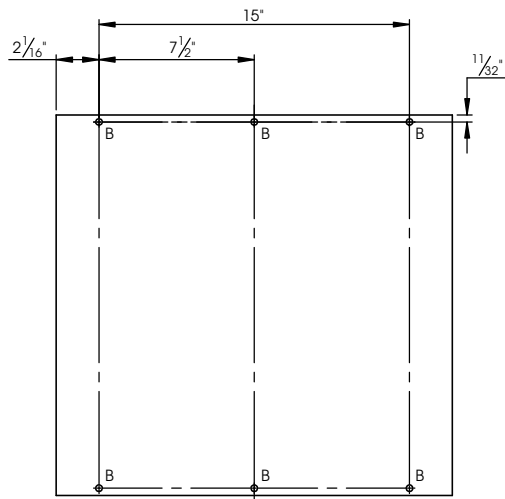
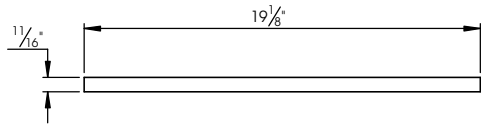
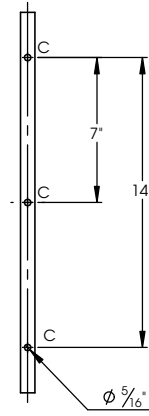
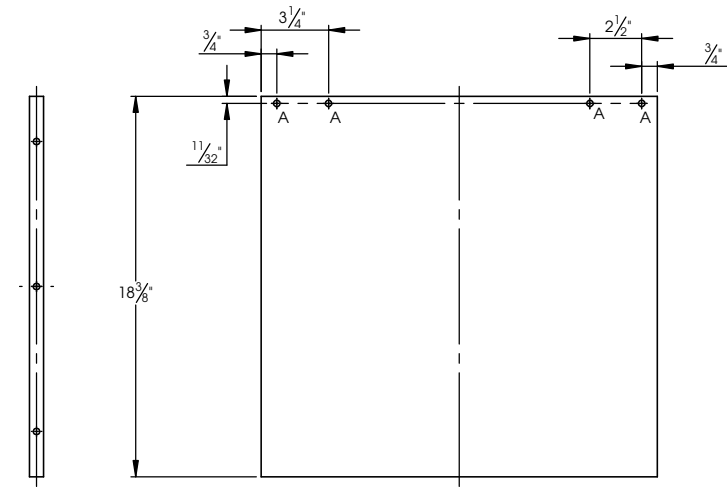


TAG	SIZE	QUANTITY
A	$\phi \frac{5}{16}'' \nabla \frac{3}{8}''$	22

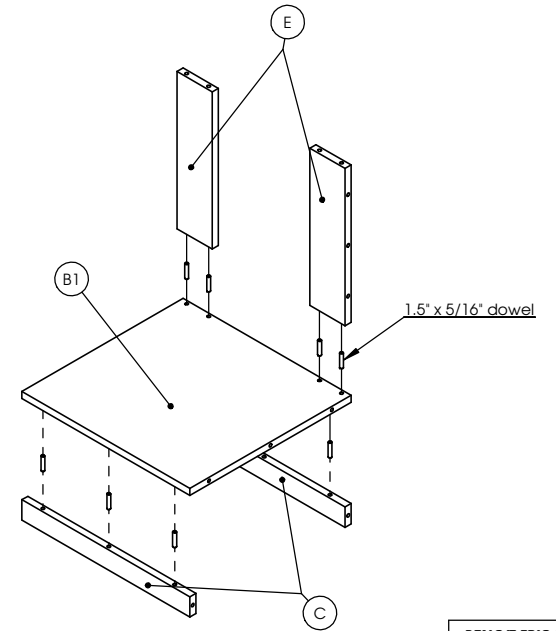
BENOIT FRIGON
bfrigon@gmail.com

NOTES:

PROJECT Rackmount cabinet			
TITLE Part A2 details			REV A
PART # A2	DOCUMENT # RACK-DWG-03	UNITS INCHES	SIZE B
MATERIAL 1 1/16" laminated pine panel		FINISH Stained and varnished	
DATE 18/05/2005	APVD BY : B.F	SCALE 1:10	SHEET 1 OF 1



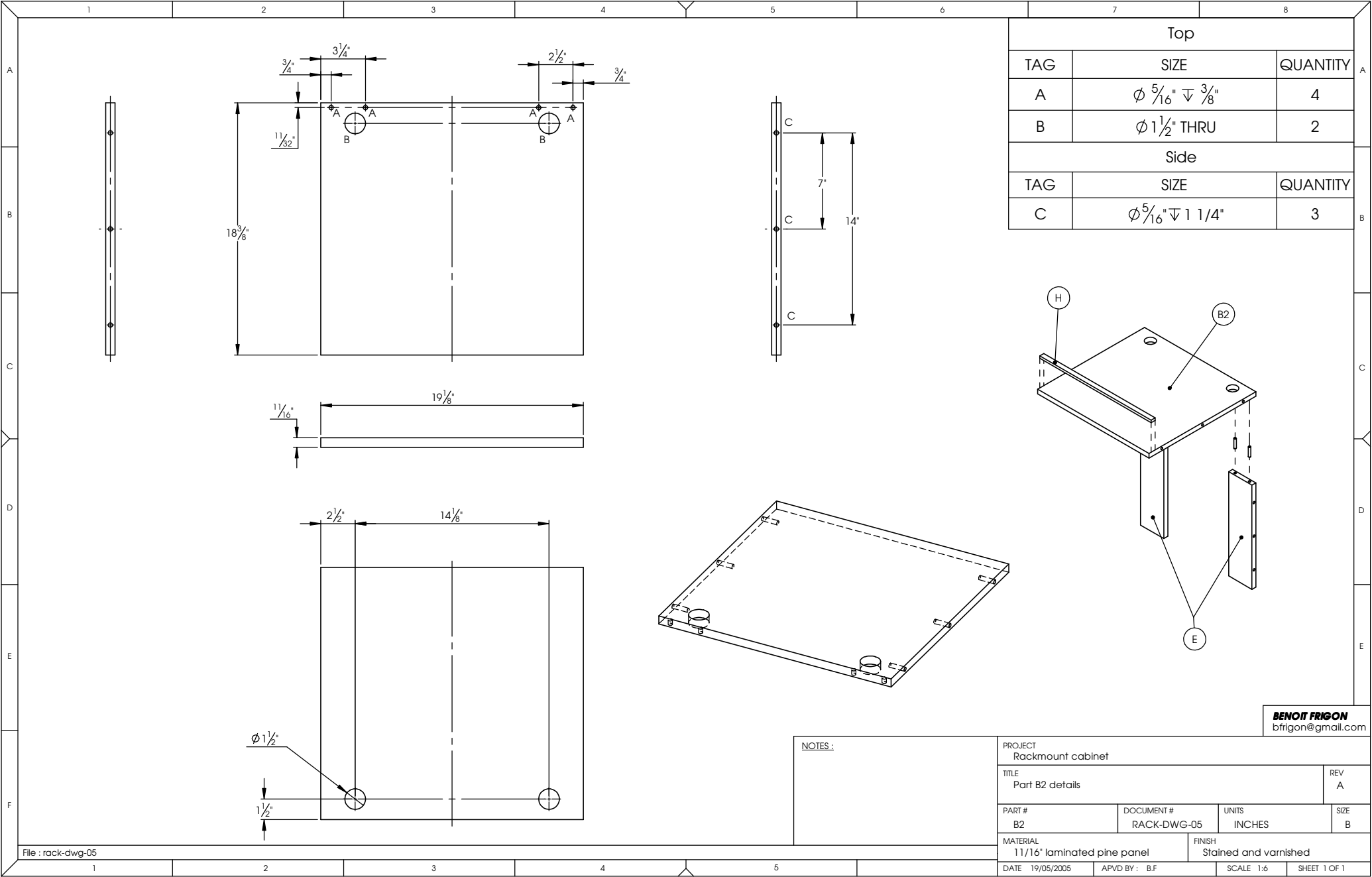
Top		
TAG	SIZE	QUANTITY
A	$\text{Ø } \frac{5}{16} \text{ " } \nabla \frac{3}{8} \text{ "}$	4
Bottom		
TAG	SIZE	QUANTITY
B	$\text{Ø } \frac{5}{16} \text{ " } \nabla \frac{3}{8} \text{ "}$	6
Side		
TAG	SIZE	QUANTITY
C	$\text{Ø } \frac{5}{16} \text{ " } \nabla 1 \frac{1}{4} \text{ "}$	3



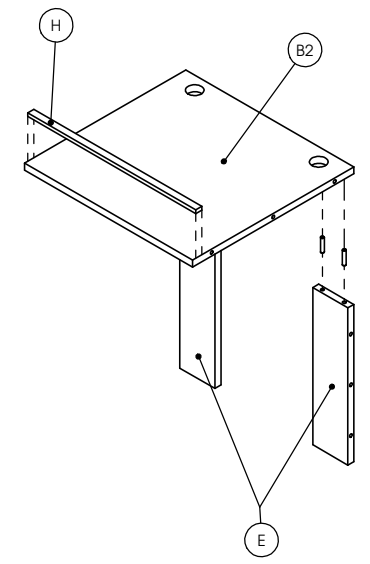
BENOIT FRIGON
bfrigon@gmail.com

NOTES :

PROJECT Rackmount cabinet			
TITLE Part B1 details			REV A
PART # B1	DOCUMENT # RACK-DWG-04	UNITS INCHES	SIZE B
MATERIAL 1 1/16" laminated pine panel		FINISH Stained and varnished	
DATE 19/05/2005	APVD BY : B.F	SCALE 1:6	SHEET 1 OF 1



Top		
TAG	SIZE	QUANTITY
A	$\phi \frac{5}{16}$ " $\nabla \frac{3}{8}$ "	4
B	$\phi 1\frac{1}{2}$ " THRU	2
Side		
TAG	SIZE	QUANTITY
C	$\phi \frac{5}{16}$ " $\nabla 1\frac{1}{4}$ "	3



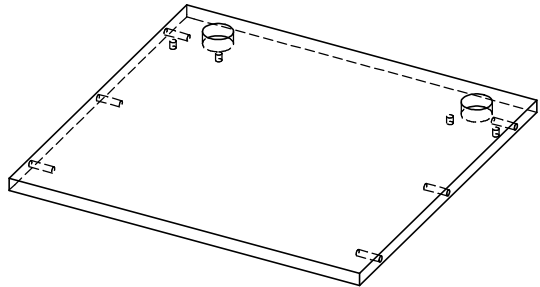
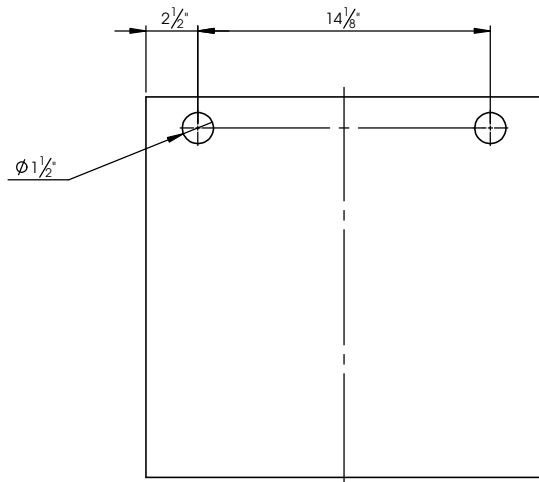
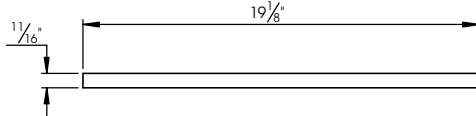
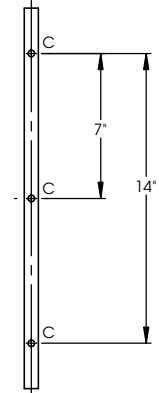
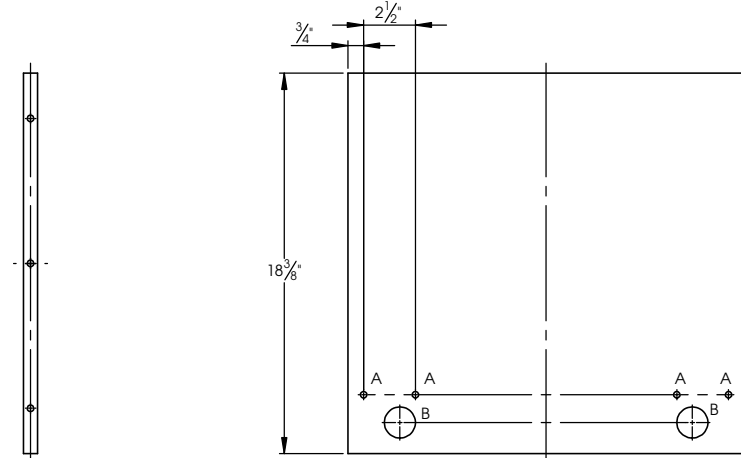
BENOIT FRIGON
bfrigon@gmail.com

NOTES:

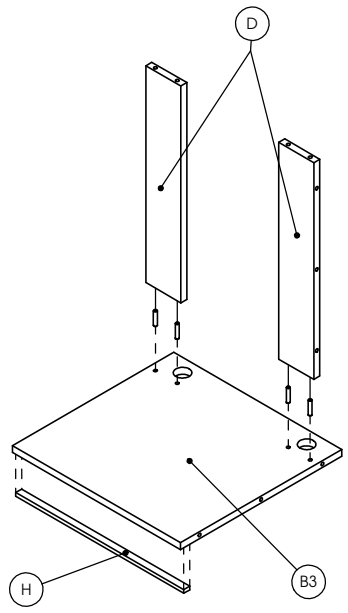
PROJECT Rackmount cabinet				REV A
TITLE Part B2 details				SIZE B
PART # B2	DOCUMENT # RACK-DWG-05	UNITS INCHES		
MATERIAL 1 1/16" laminated pine panel			FINISH Stained and varnished	
DATE 19/05/2005	APVD BY: B.F	SCALE 1:6	SHEET 1 OF 1	

1 2 3 4 5 6 7 8

A
B
C
D
E
F



Top		
TAG	SIZE	QUANTITY
A	$\phi \frac{5}{16} \nabla \frac{3}{8}$ "	4
B	$\phi 1 \frac{1}{2}$ " THRU	2
Side		
TAG	SIZE	QUANTITY
C	$\phi \frac{5}{16} \nabla 1 \frac{1}{4}$ "	3



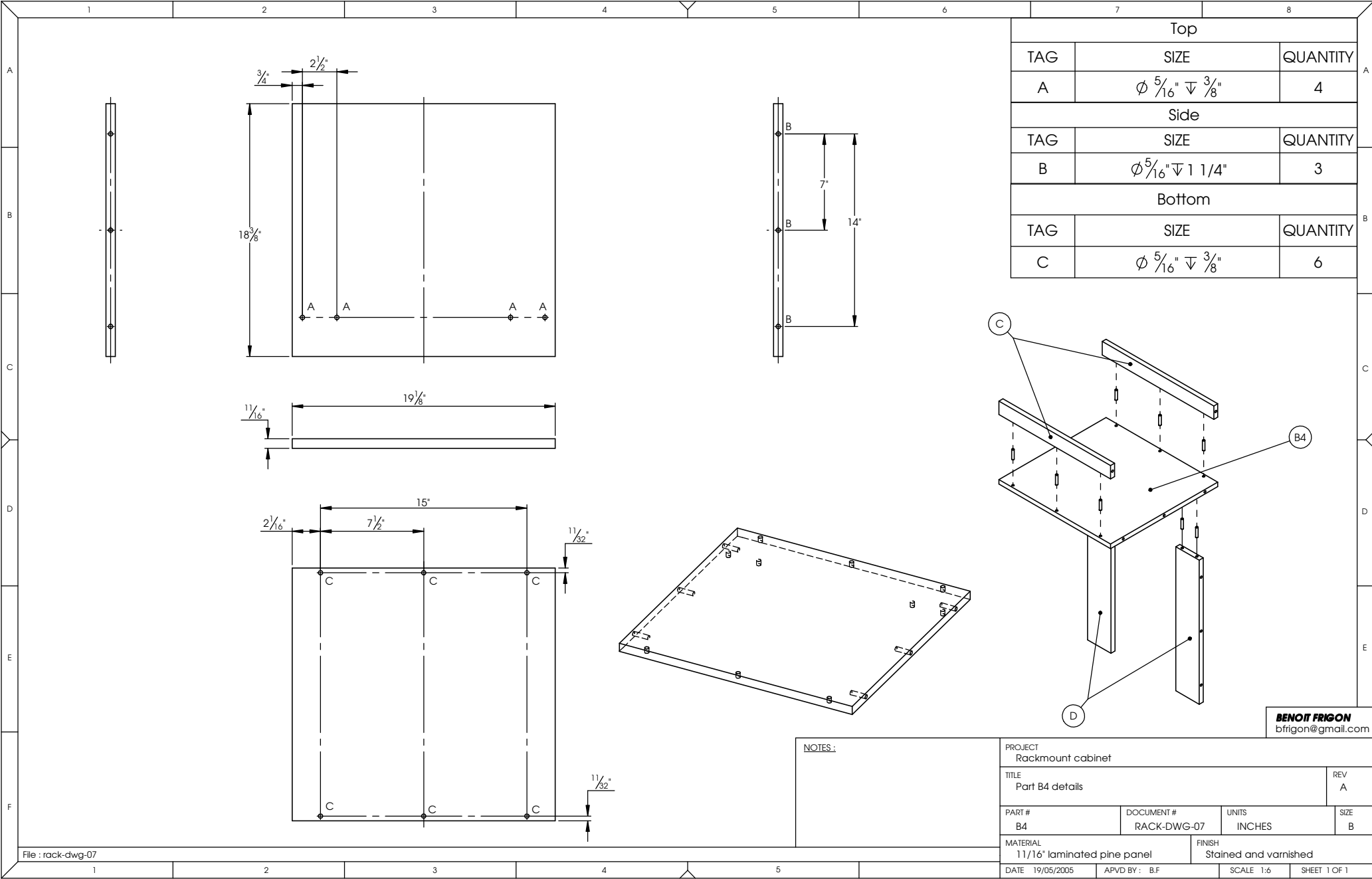
BENOIT FRIGON
bfrigon@gmail.com

NOTES:

PROJECT Rackmount cabinet			
TITLE Part B3 details			REV A
PART # B3	DOCUMENT # RACK-DWG-06	UNITS INCHES	SIZE B
MATERIAL 1 1/16" laminated pine panel		FINISH Stained and varnished	
DATE 19/05/2005	APVD BY : B.F	SCALE 1:6	SHEET 1 OF 1

File : rack-dwg-06

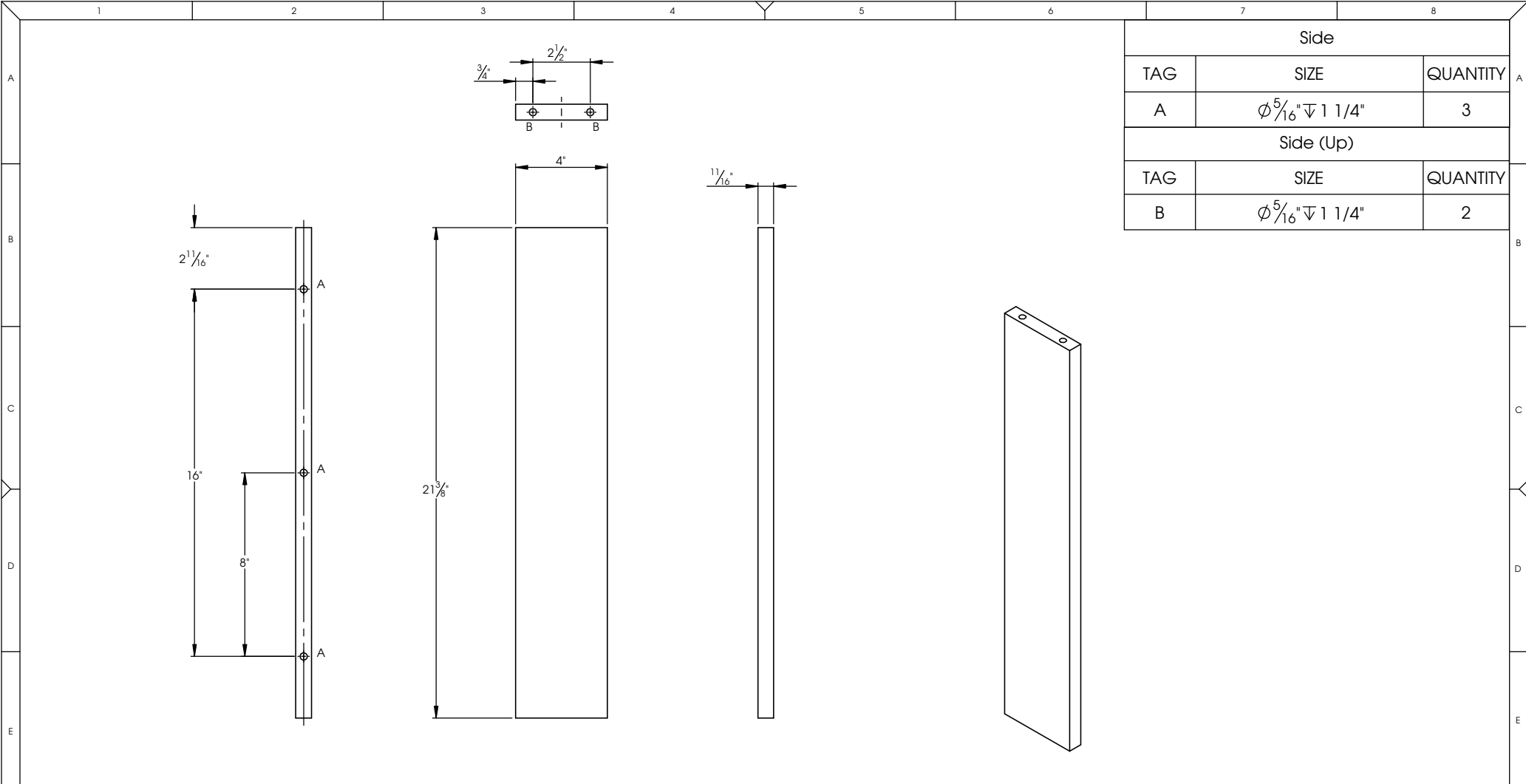
1 2 3 4 5 6 7 8



BENOIT FRIGON
bfrigon@gmail.com

NOTES:

PROJECT Rackmount cabinet				REV A
TITLE Part B4 details				
PART # B4	DOCUMENT # RACK-DWG-07	UNITS INCHES	SIZE B	
MATERIAL 1 1/16" laminated pine panel			FINISH Stained and varnished	
DATE 19/05/2005	APVD BY: B.F	SCALE 1:6	SHEET 1 OF 1	

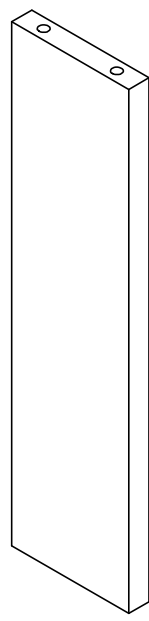
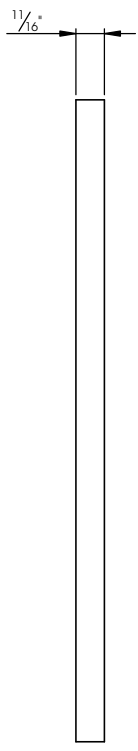
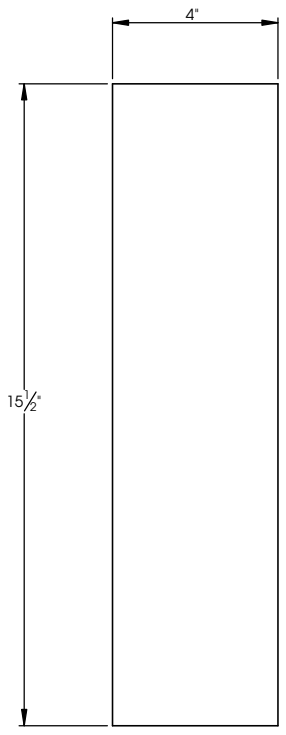
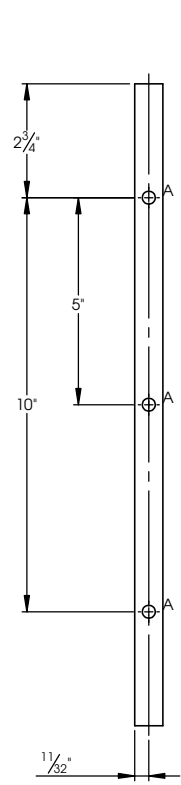
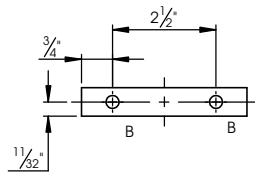


Side		
TAG	SIZE	QUANTITY
A	$\phi 5/16" \nabla 1 1/4"$	3
Side (Up)		
TAG	SIZE	QUANTITY
B	$\phi 5/16" \nabla 1 1/4"$	2

BENOIT FRIGON
bfrigon@gmail.com

NOTES:

PROJECT Rackmount cabinet			
TITLE Part D details			REV A
PART # D	DOCUMENT # RACK-DWG-08	UNITS INCHES	SIZE B
MATERIAL 1 1/16" laminated pine panel		FINISH Stained and varnished	
DATE 19/05/2005	APVD BY : B.F	SCALE 1:4	SHEET 1 OF 1



Side		
TAG	SIZE	QUANTITY
A	$\phi 5/16$ " ∇ 1 1/4"	3
Side (up)		
TAG	SIZE	QUANTITY
B	$\phi 5/16$ " ∇ 1 1/4"	2

BENOIT FRIGON
bfrigon@gmail.com

NOTES:

PROJECT Rackmount cabinet			
TITLE Part E details			REV A
PART # E	DOCUMENT # RACK-DWG-09	UNITS INCHES	SIZE B
MATERIAL 1 1/16" laminated pine panel		FINISH Stained and varnished	
DATE 19/05/2005	APVD BY : B.F	SCALE 1:3	SHEET 1 OF 1